

0 1 2 3 4 5 6 7 8 9

BATTERY CHARGER

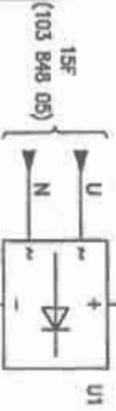
EXT. EMER. STOP

REMOTE START/STOP

+24V (110)

F1/10A

F5/6A



NO	REMOTE (95)	NO	NC	REMOTE (91)
S7	NC	0	(91)	NC
	NC	0	REMOTE (7)	NC
	0	(44)	NC	LOCAL (135)
	NC	LOCAL (135)	NO	REMOTE (136)

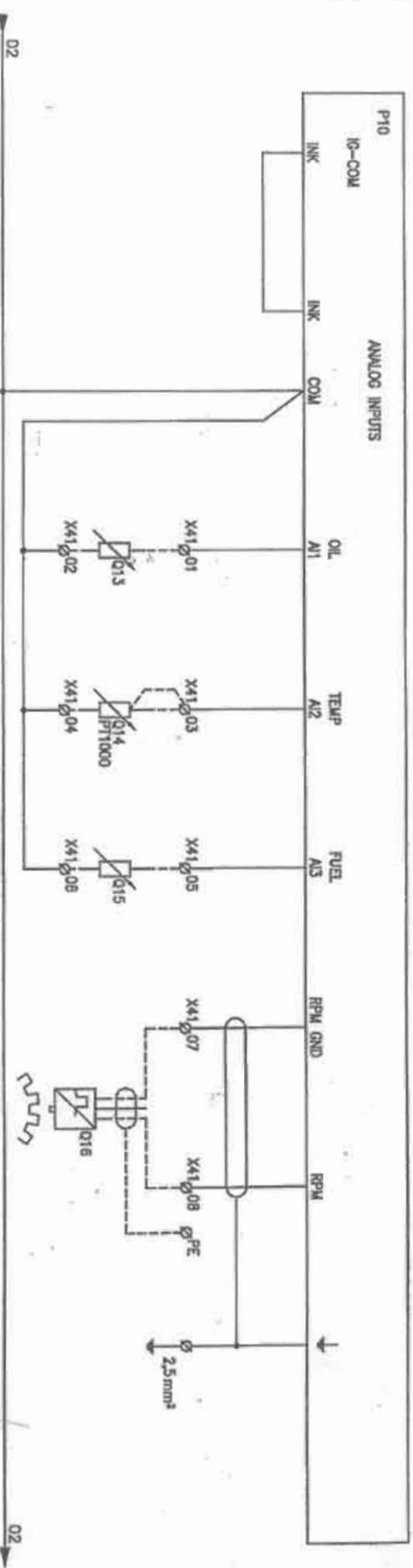


02

01

10	11	12	13	14	15	16	17	18	19
			VDO / 0-10bar SENSOR FOR LUBE OIL PRESSURE	Pt1000 SENSOR FOR COOL WATER TEMP.	SENSOR FOR FUEL LEVEL		PICK-UP SIGNAL		

01 ←

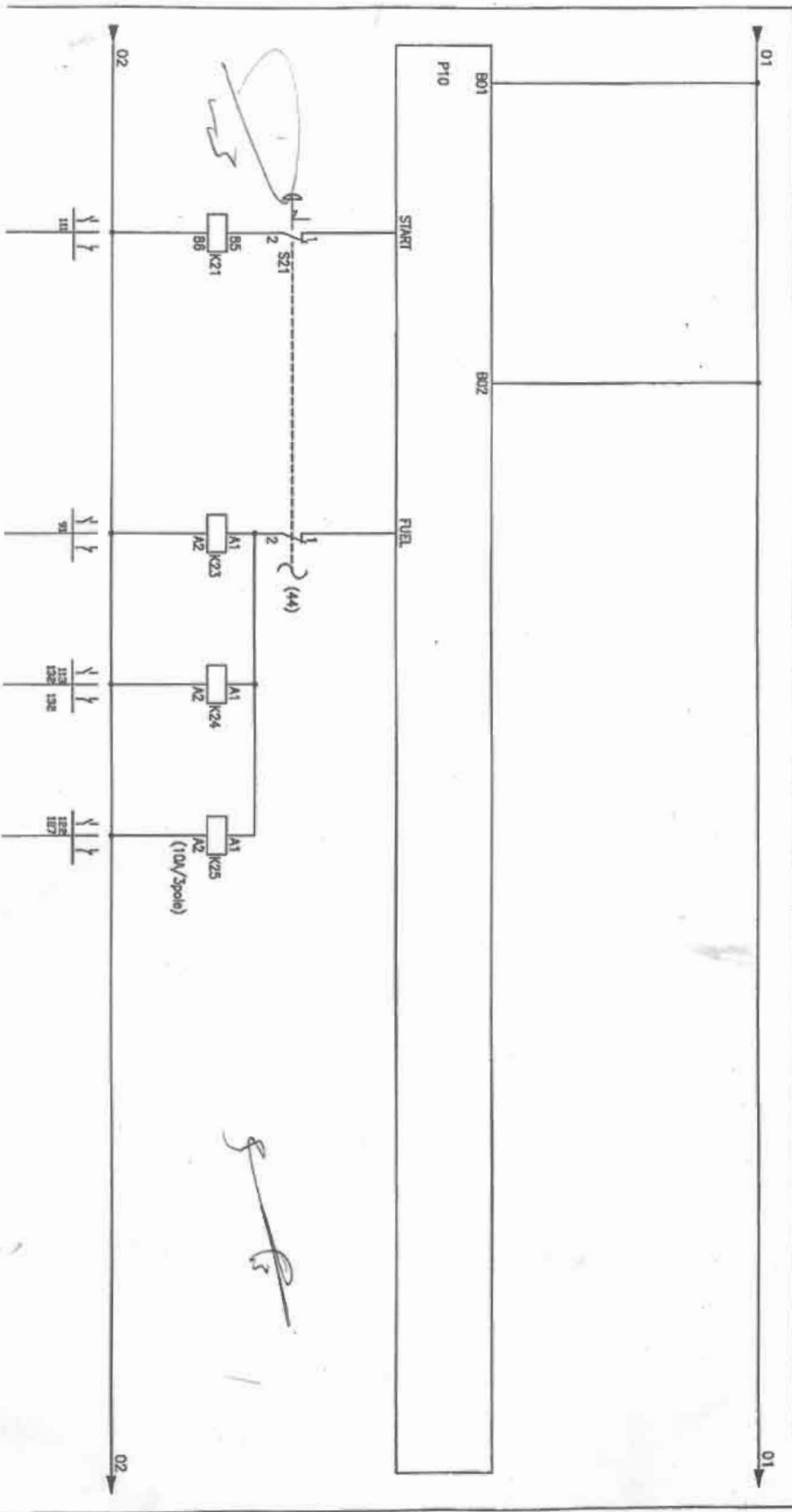


02 →

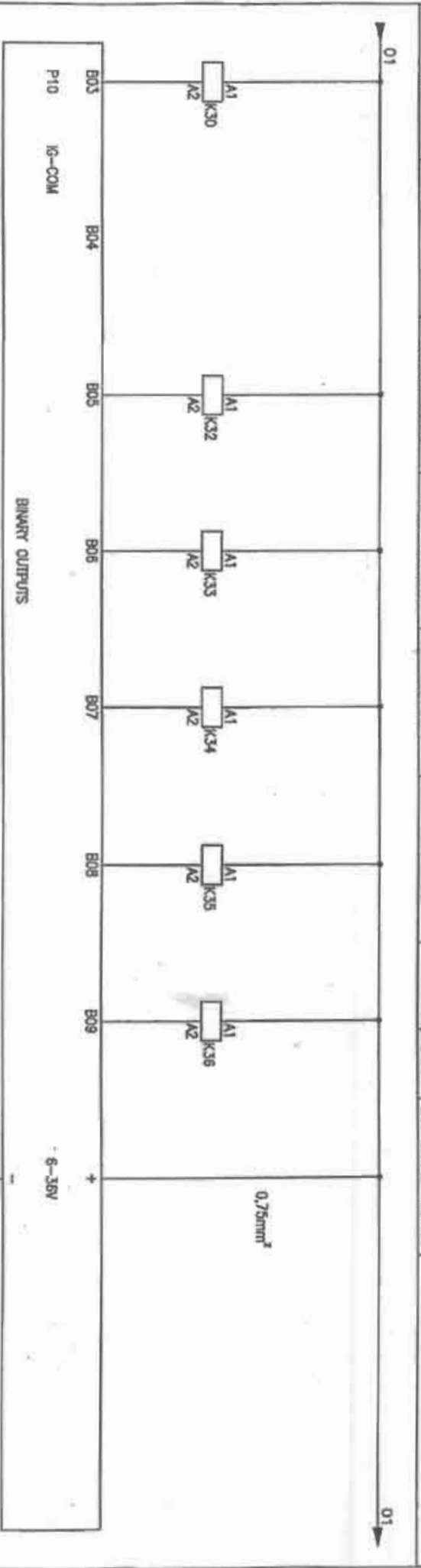
[Handwritten signature]

[Handwritten signature]

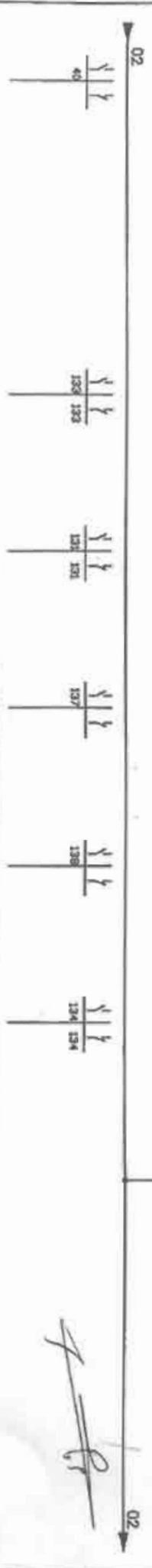
20	21	22	23	24	25	26	27	28	29
	EMERGENCY STOP START		READY FOR LOAD	TRIP OF EXT. BREAKER	FUEL VALVE (ONLY IF FITTED)				



30	31	32	33	34	35	36	37	38	39
A.L.T. BREAKER ON		COMMON ALARM	READY FOR LOAD	MAN MODE	AUTO MODE	STAND-BY/READY	24V SUPPLY VOLTAGE		



Handwritten signature



Handwritten signature

40	41	42	43	44	45	46	47	48	49
ALT. BREAKER ON		REMOTE START/STOP		EMERGENCY STOP SELECTOR SWITCH			COOLING WATER TEMPERATURE	COMMON ALARM	OIL PRESSURE ALARM

01 ←



[Handwritten signature]

50 51 52 53 54 55 56 57 58 59

01 → (90)

02 → (90)



50 51 52 53 54 55 56 57 58 59

01

01 (90)

02

02 (90)

