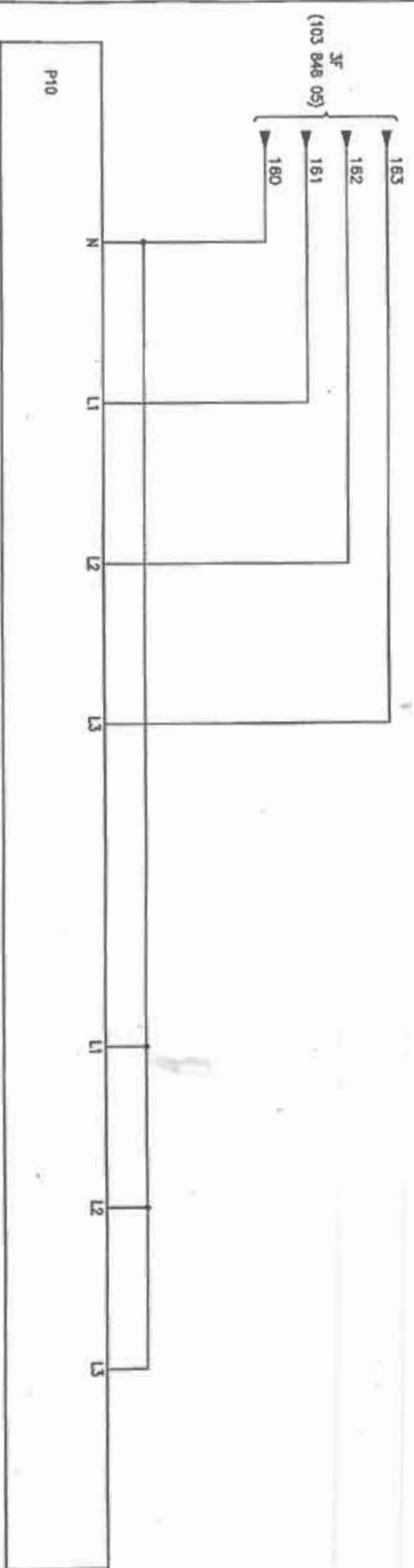


70 71 72 73 74 75 76 77 78 79

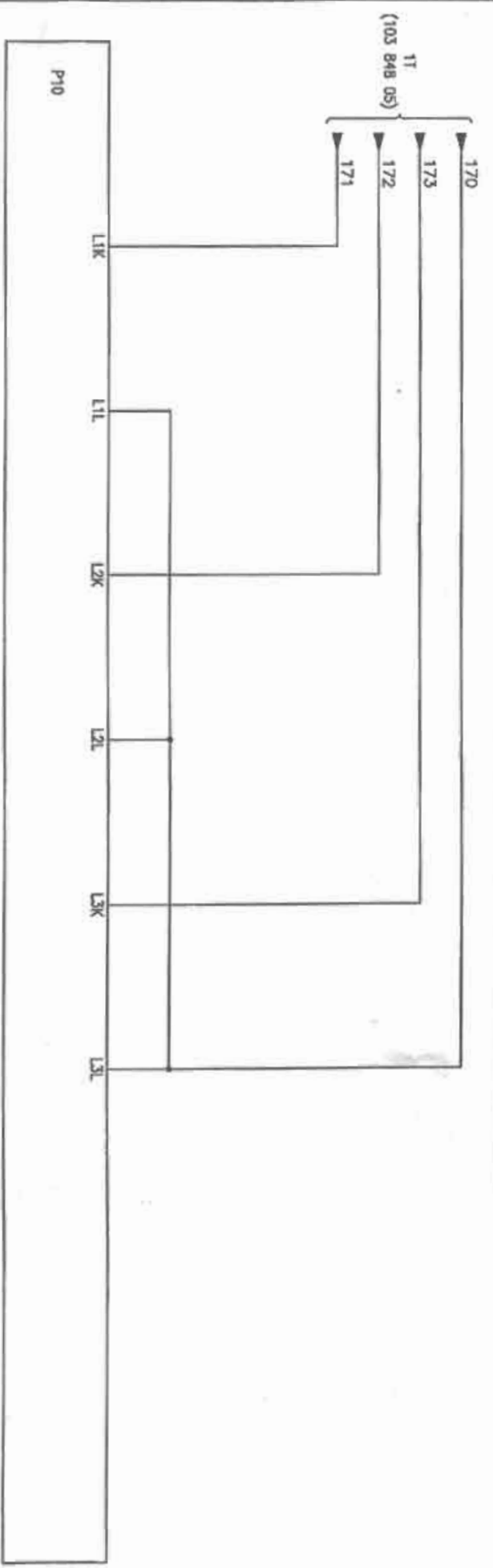
FROM ALTERNATOR, 3x400/230V



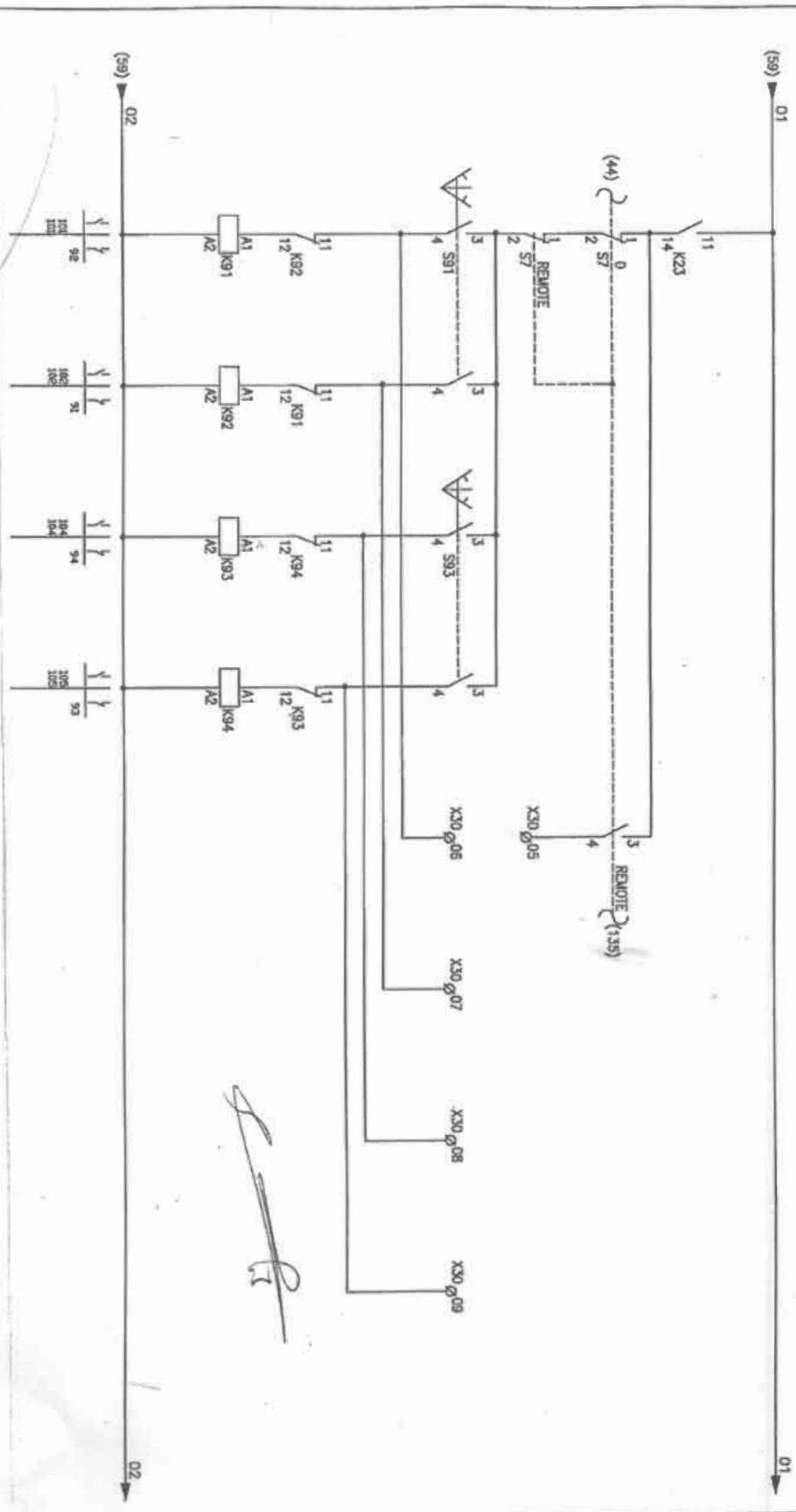
J R

60 61 62 63 64 65 66 67 68 69

FROM CURRENT TRANSFORMER



90	91	92	93	94	95	96	97	98	99
	DOWN	UP	DOWN	UP	DOWN	UP	DOWN	UP	
	VOLTAGE		FREQUENCY		VOLTAGE		FREQUENCY		
			LOCAL				REMOTE		

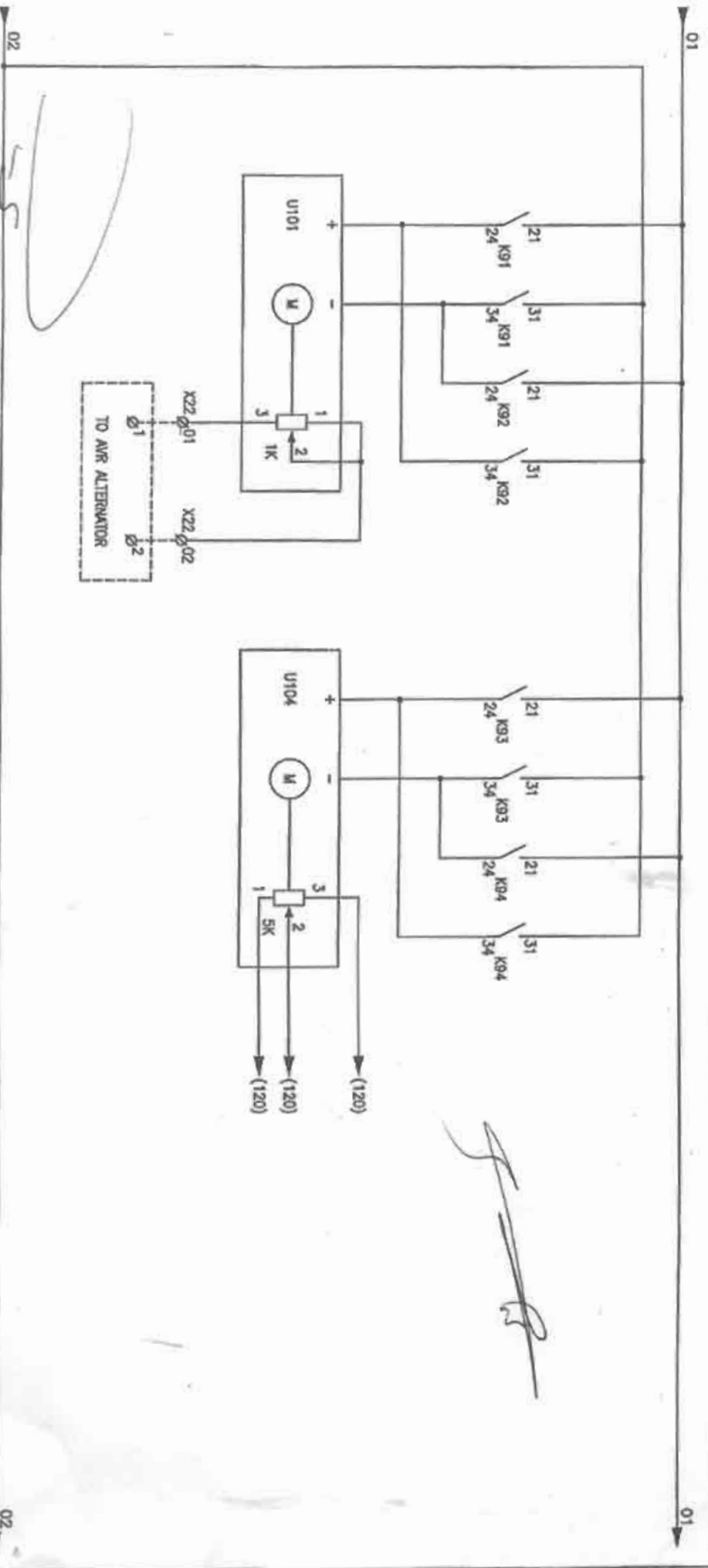


[Handwritten scribble]

[Handwritten signature]

100 101 102 103 104 105 106 107 108 109

DOWN VOLTAGE UP DOWN FREQUENCY UP

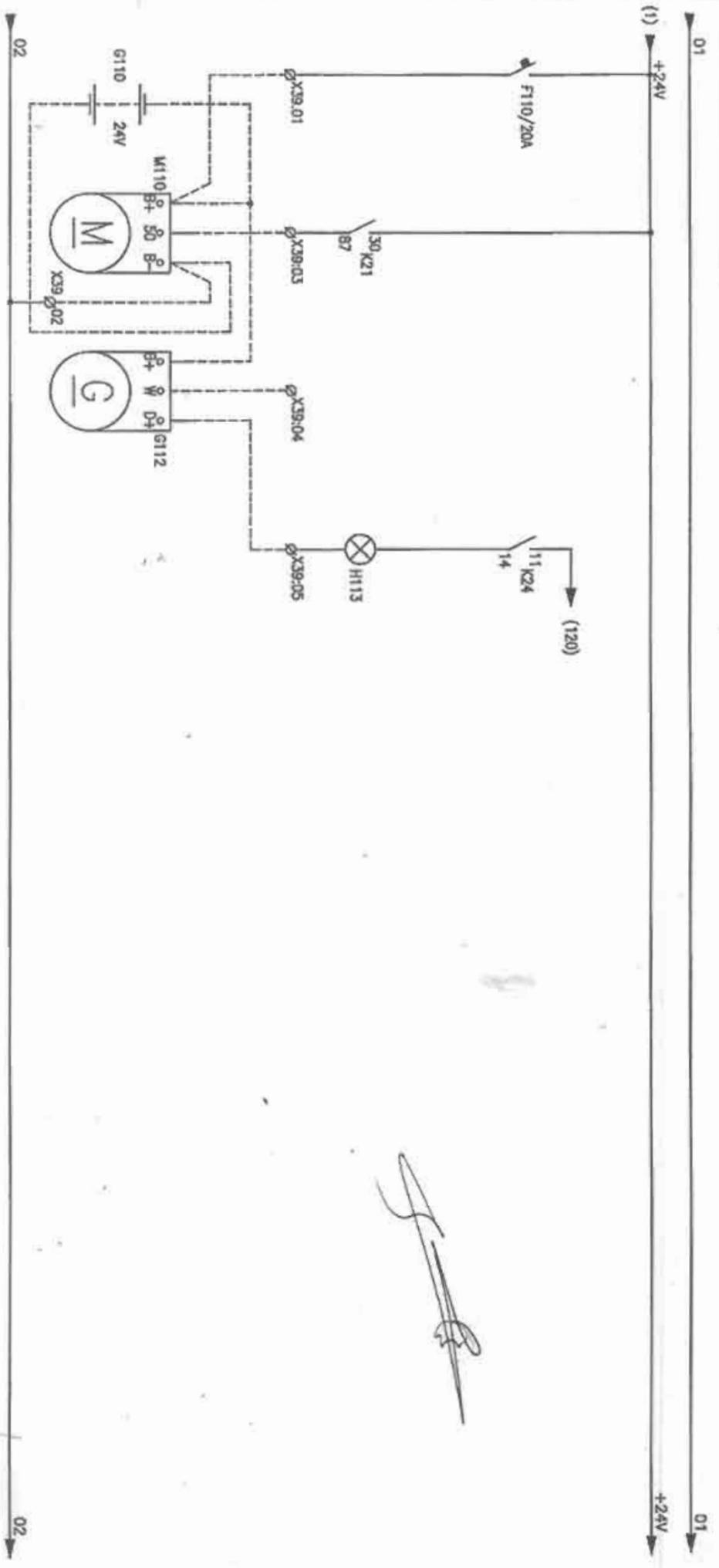


[Handwritten signature]

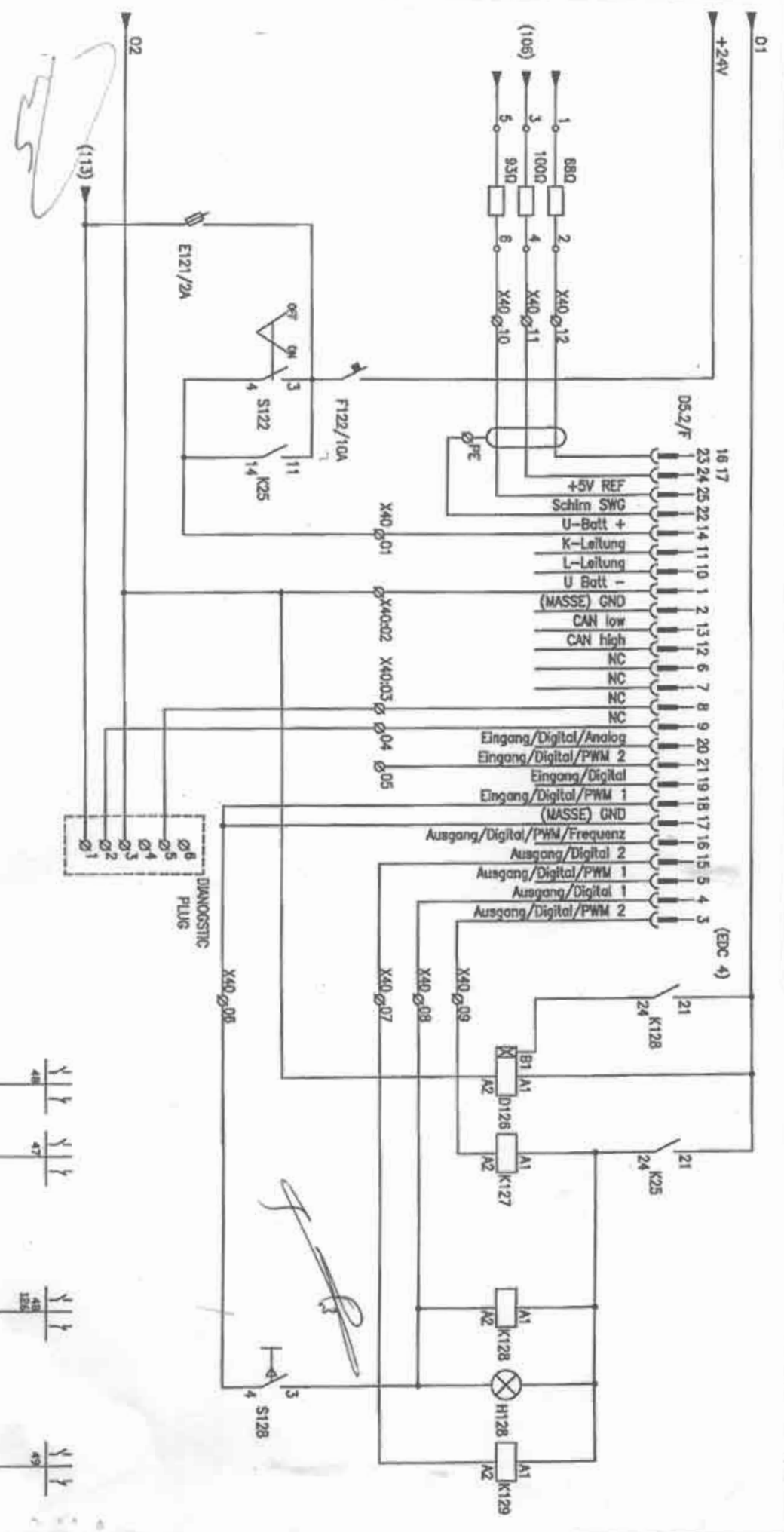
[Handwritten scribble]

110	111	112	113	114	115	116	117	118	119
-----	-----	-----	-----	-----	-----	-----	-----	-----	-----

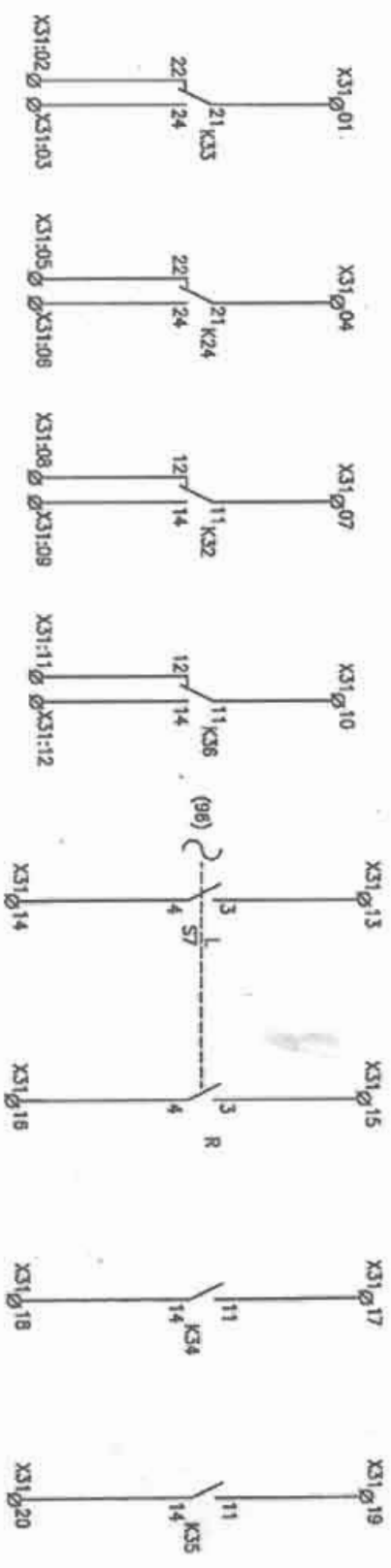
STARTING BATTERY | STARTING MOTOR | CHARGING DYNAMO | CHARGING LAMP



120	121	122	123	124	125	126	127	128	129
DIAGNOSTIC OFF/ON			COOLING WATER TEMPERATURE			COMMON ALARM		OIL PRESSURE ALARM	

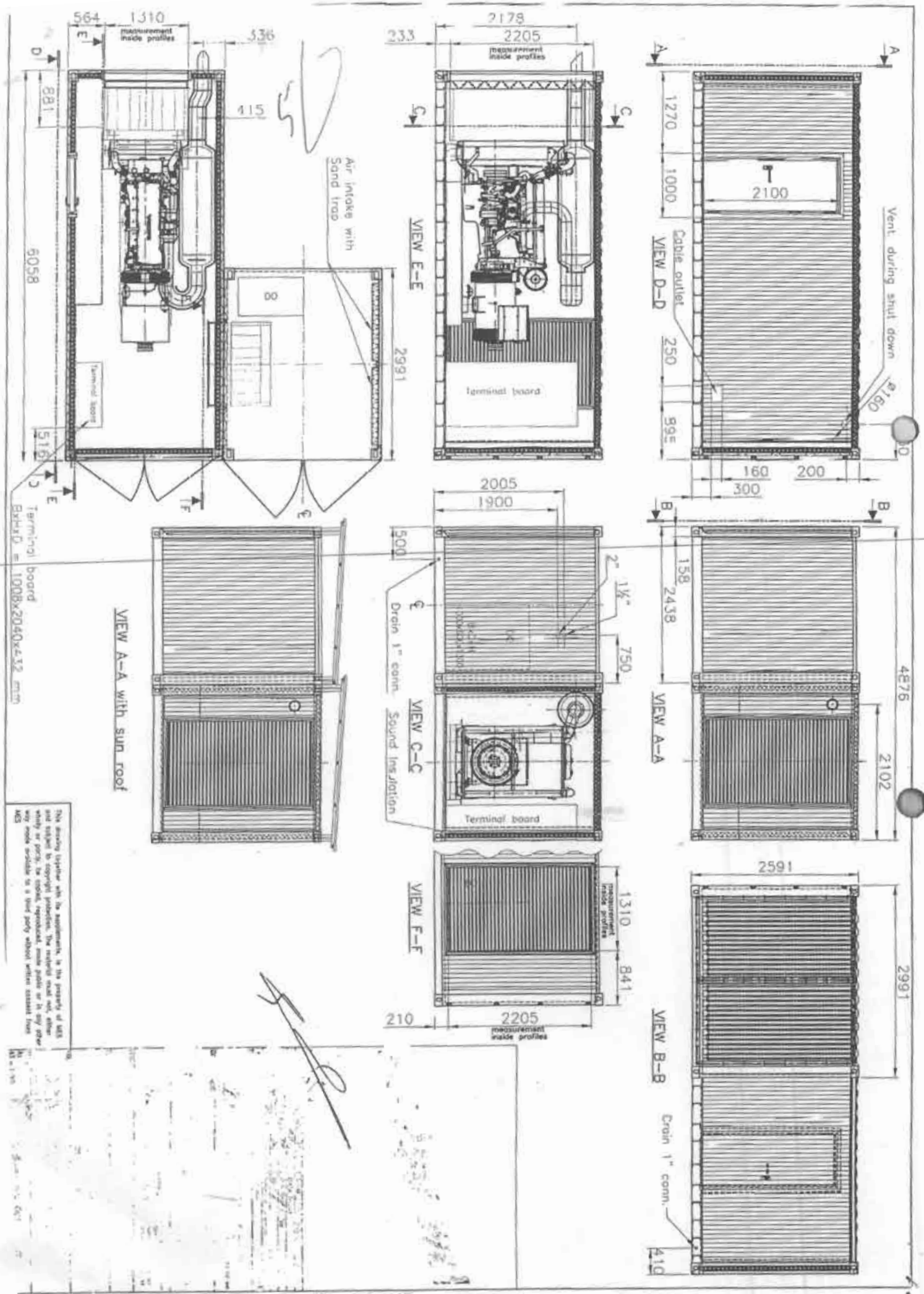


130	131	132	133	134	135	136	137	138	139
READY FOR LOAD	TRIP OF BREAKER	COMMON ALARM	STANDBY/READY	SELECTOR SWITCH	LOCAL	REMOTE	MAN MODE	P10	AUTO MODE



55

[Handwritten signature]



Terminal board
 Part D = 1008x2040x432 mm

This drawing together with the equipment, is the property of MBS and subject to copyright protection. The material shall not, either wholly or partly, be copied, reproduced, made public or in any other way made available to a third party without written consent from MBS.

